



## Adirondack Wooden Chair Instruction Manual

D8637

**For correct usage, please read these instructions carefully before assembly and keep in a safe place for future reference.**

### General information and safety warnings

- Make sure that all parts are present before beginning assembly.
- Assemble on a flat safe surface; do not assemble on sloping ground.
- Do not fully tighten all nuts and bolts until the chair has been fully assembled.
- Store in a cool dry place when not in use like a shed or garage.
- It is advisable to store away during wet weather or freezing temperatures.
- Only one person should sit on the chair at a time.
- This chair is not designed for commercial use.
- Do not allow children to play on the chair.
- To prevent tipping do not throw your weight against the back of the chair.
- Maximum user weight is 113kg (250lbs) .
- **The Adirondack chair is provided untreated; to preserve and maintain the wood, we recommend that you treat it with an exterior wood paint, varnish or stain.**
- **To maintain the finish of the chair, it may be necessary to recoat annually - follow the recommendations of the specific product used.**

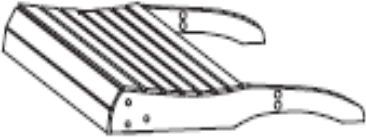
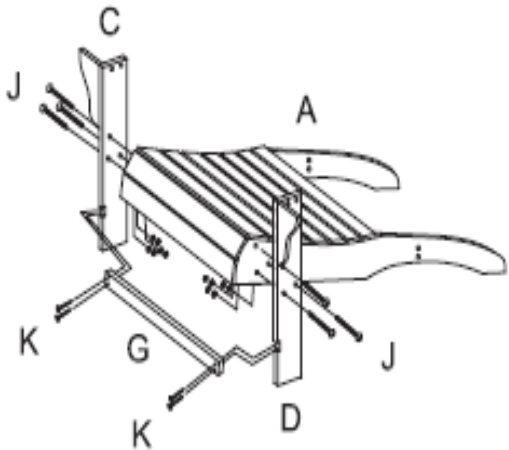

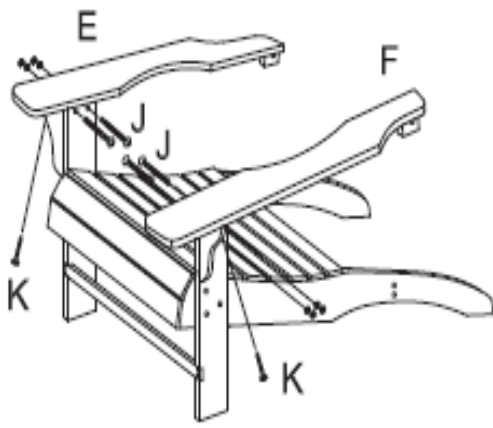
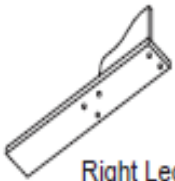
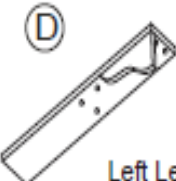
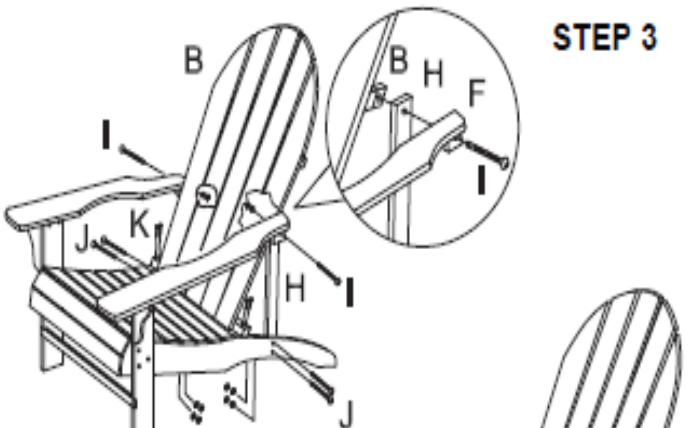

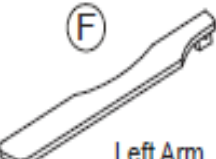

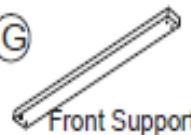

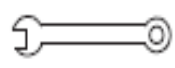

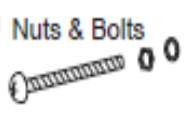
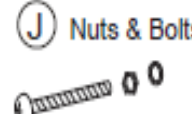

### Chair Measurements

Length 91cm

Width 77cm

Height 87cm



Parts	Assembly	
<p><b>(A)</b>  Seat Panel x1pc</p>	<p><b>NOTE:</b> KEEP ALL NUTS AND BOLTS LOOSE DURING ASSEMBLY</p> <p><b>STEP 1</b></p> 	
<p><b>(B)</b>  Back Panel 1pc</p>	<p><b>STEP 2</b></p> 	
<p><b>(C)</b>  Right Leg x1pc</p> <p><b>(D)</b>  Left Leg x1pc</p>	<p><b>STEP 3</b></p> 	
<p><b>(E)</b>  Right Arm Rest x1pc</p> <p><b>(F)</b>  Left Arm Rest x1pc</p>	<p><b>STEP 4</b></p> <p><b>TIGHTEN ALL NUTS, BOLTS, &amp; SCREWS LAST</b></p> 	
<p><b>(G)</b>  Front Support Beam x1pc</p> <p><b>(H)</b>  Back Vertical Support x2pc</p>	<p><b>Tools Required (not included)</b></p> <p>10mm Wrench      Phillip Screwdriver</p>  	
<p><b>(I)</b>  Nuts &amp; Bolts 2.8" (70mm) x2pc</p> <p><b>(J)</b>  Nuts &amp; Bolts 2"(50mm) x14pc</p>	<p><b>AFTER SALES SUPPORT</b> ☎ 0871 911 7031 📧 CUSTOMERSERVICE@GARDENGEARONLINE.CO.UK</p>	
<p><b>(K)</b>  Screws x10pc</p>		

**GUARANTEE  
IMPORTANT**

**Please do not return this product without first calling the Customer Service number below:  
0871 911 7031\***

Thank you for purchasing this product, which has been made to demanding high quality standards and is guaranteed for domestic use against manufacturing faults for a period of 12 months from the date of purchase.

Register your product for an extended 2-year warranty by visiting our website [www.gardengearonline.co.uk](http://www.gardengearonline.co.uk). The product must be registered, along with your contact information, within 30 days of purchase. For full terms and conditions please visit our website.

This guarantee does not affect your statutory rights. If your product fails due to a defect in material or workmanship during this period, please return it to the place of purchase. Normal wear and tear is not covered under the guarantee.

Any guarantee is invalid if the product has been misused or subject to neglect or an attempted repair other than by our own service centre. Due to continuous product improvement, we reserve the right to change the product specification without prior notice.

**After Sales Customer Service:**

Customer Service Department, Branded Garden Products Ltd, Premier House, Hortonwood 7, Telford, TF1 7GP, UK

Telephone: 0871 911 7031\*

E-mail [customerservice@gardengearonline.co.uk](mailto:customerservice@gardengearonline.co.uk)

Please retain for future reference.  
Colours and contents may vary.

\*Calls cost 13p per minute, plus your phone company's access charge